

Incremental encoders

EX approval ATEX II 2G Ex de IIC T6

Resolution 250...2500 pulses

EEx HOG 161 - incremental



EEx HOG 161

Features

- Encoder incremental / ATEX
- Optical sensing
- Ex-approved by ATEX II 2G Ex de IIC T6
- Hollow shaft $\varnothing 30-70$ mm
- Robust light-metal housing
- Logic level TTL with regulator UB 9...26 VDC
- Logic level HTL with power line driver
- Big terminal box, turn by 180°

Technical data - electrical ratings

Voltage supply	5 VDC ± 5 % 9...26 VDC 9...30 VDC
Consumption w/o load	≤ 100 mA
Resolution (steps/turn)	250...2500
Phase shift	90°
Scan ratio	40...60 %
Reference signal	Zero pulse, width 90°
Sensing method	Optical
Output frequency	≤ 120 kHz
Output signals	K1, K2, K0 + inverted
Output circuit	TTL (RS422) HTL (power line driver)
Interference immunity	DIN EN 61000-6-2
Emitted interference	DIN EN 61000-6-4

Technical data - mechanical design

Housing	$\varnothing 160$ mm
Shaft	$\varnothing 30...70$ mm hollow shaft
Admitted shaft load	≤ 450 N axial ≤ 650 N radial
Protection DIN EN 60529	IP 54 (T6), IP 56 (T5)
Operating speed	≤ 5600 rpm (mechanical)
Operating torque typ.	60 Ncm
Rotor moment of inertia	31.9 kgcm ² ($\varnothing 40$) 11.3 kgcm ² ($\varnothing 70$)
Materials	Housing: aluminium alloy Shaft: stainless steel
Operating temperature	-20...+65 °C (T5) -20...+70 °C (T6)
Resistance	DIN EN 60068-2-6 Vibration 10 g, 50-2000 Hz DIN EN 60068-2-27 Shock 100 g, 6 ms
Explosion protection	II2G Ex de IIC T6 (gas)
Connection	Terminal box
Weight approx.	8.8 kg ($\varnothing 40$), 6.2 kg ($\varnothing 70$)

Incremental encoders

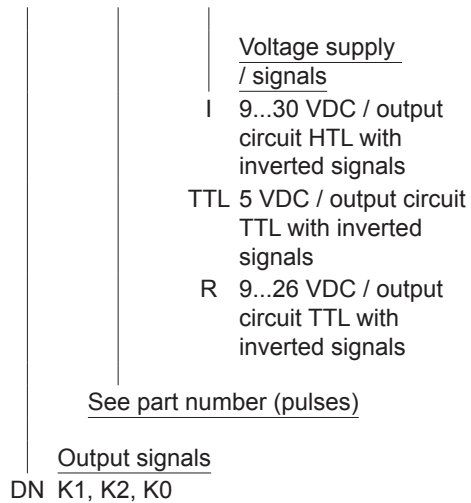
EX approval ATEX II 2G Ex de IIC T6
Resolution 250...2500 pulses

EEx HOG 161 - incremental

Part number

EEx HOG 161

DN				
----	--	--	--	--



Accessories

Connectors and cables

HEK 8 Sensor cable for encoders

Mounting accessories

ET.51.100x Torque arm size M6

Diagnostic accessories

HENQ 1100 Analyzer for encoders

Part number (pulses)

250	512	1024	1200	2500
500	1000	1080	2048	

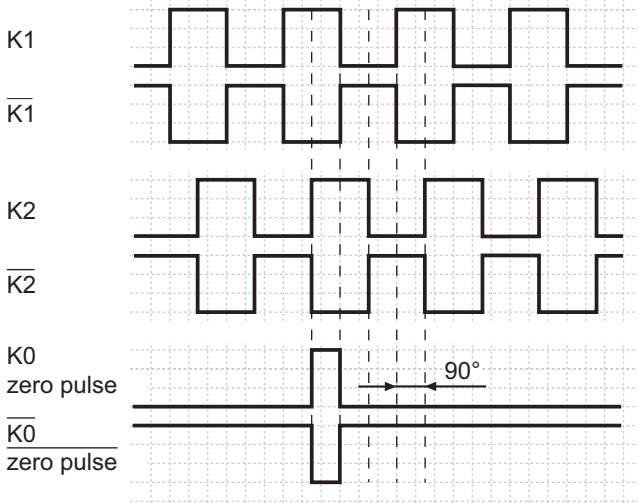
Incremental encoders

EX approval ATEX II 2G Ex de IIC T6
Resolution 250...2500 pulses

EEx HOG 161 - incremental

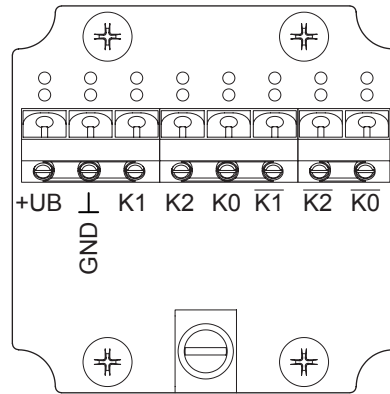
Output signals

at positive rotating direction

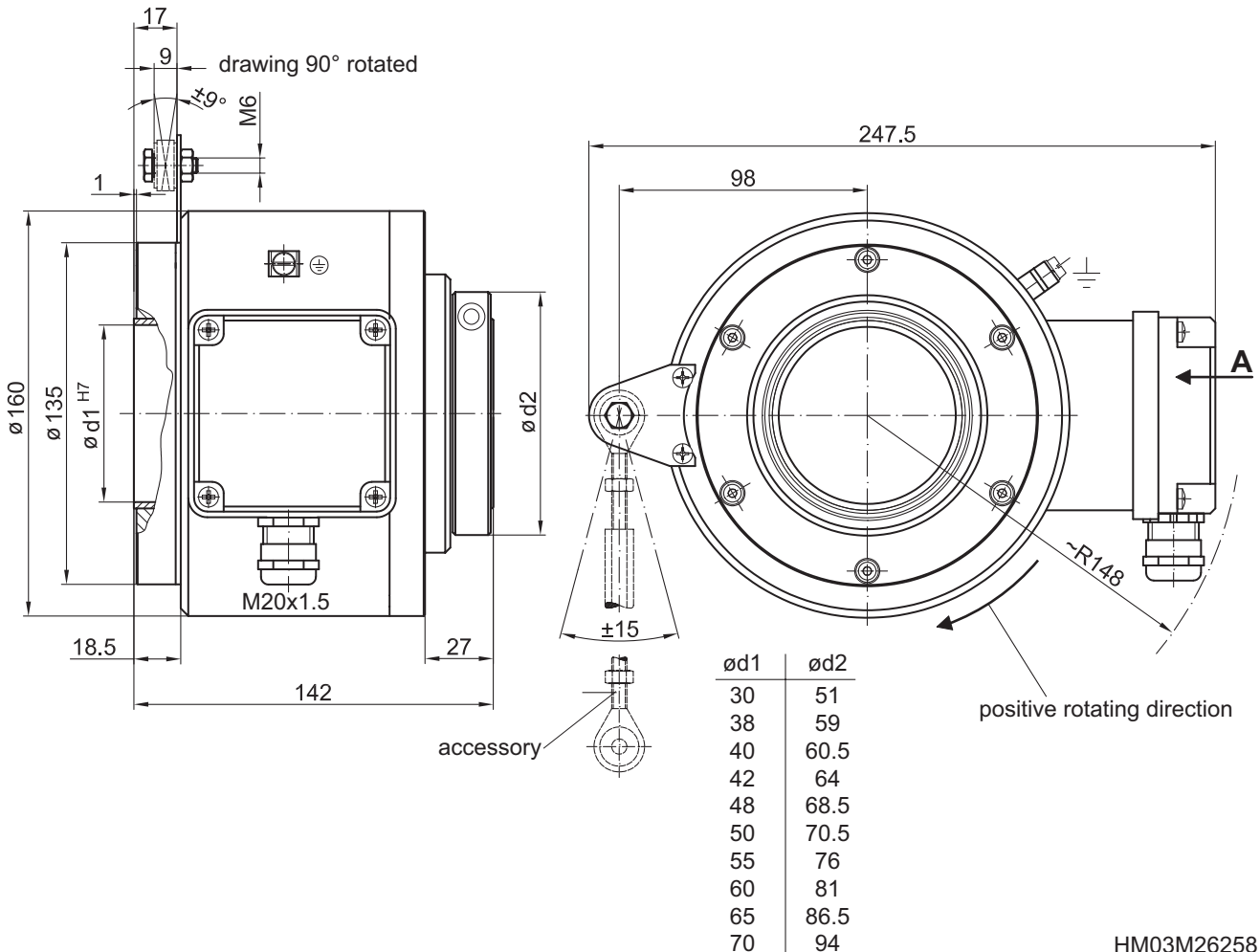


Terminal assignment

View A - Connecting terminal



Dimensions



HM03M26258

Incremental encoders
EX approval ATEX II 2G Ex de IIC T6
Resolution 250...2500 pulses

EEx HOG 161 - incremental
