

Tachogenerators

End shaft $\varnothing 12-16$ mm or cone shaft $\varnothing 17$ mm (1:10)

Housings $\varnothing 95$ mm, bearingless configuration

GTB 9



GTB 9

Features

- High response speed
- Open circuit voltage 10...20 mV per rpm
- End shaft $\varnothing 12-16$ mm or cone shaft $\varnothing 17$ mm (1:10)
- Top signal quality over the total rotational speed range by patented Longlife technique
- High protection standard IP 68
- Connector output
- Recognition of sense of rotation
- No auxiliary energy source required

Technical data - electrical ratings

Reversal tolerance	≤ 0.1 %
Linearity tolerance	≤ 0.15 %
Temperature coefficient	± 0.05 %/K (idle)
Isolation class	B
Calibration tolerance	± 5 %
Climatic test	Humid heat, constant (IEC 60068-2-3, Ca)
Performance	0.3 W (speed > 5000 rpm)
Armature-circuit time-constant	< 9 μ s
Open-circuit voltage	10...20 mV per rpm

Technical data - mechanical design

Housing	$\varnothing 95$ mm
Shaft	$\varnothing 12...16$ mm end shaft $\varnothing 17$ mm cone shaft 1:10
Protection DIN EN 60529	IP 68
Materials	Housing: stainless steel / plastic Shaft: stainless steel
Operating temperature	$-30...+130$ °C
Resistance	DIN EN 60068-2-6 Vibration 10 g, 10-2000 Hz DIN EN 60068-2-27 Shock 100 g, 6 ms
Weight approx.	0.7 kg
Connection	Connector
Torque	0.35 Ncm
Rotor moment of inertia	0.95 kgcm ²

Tachogenerators

End shaft $\varnothing 12-16$ mm or cone shaft $\varnothing 17$ mm (1:10)

Housings $\varnothing 95$ mm, bearingless configuration

GTB 9

Part number

GTB 9.06 L / 4

Design

- Cylindrical shaft
- K Cone shaft

Open-circuit voltage

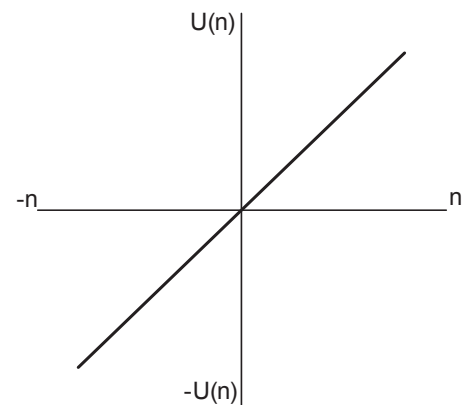
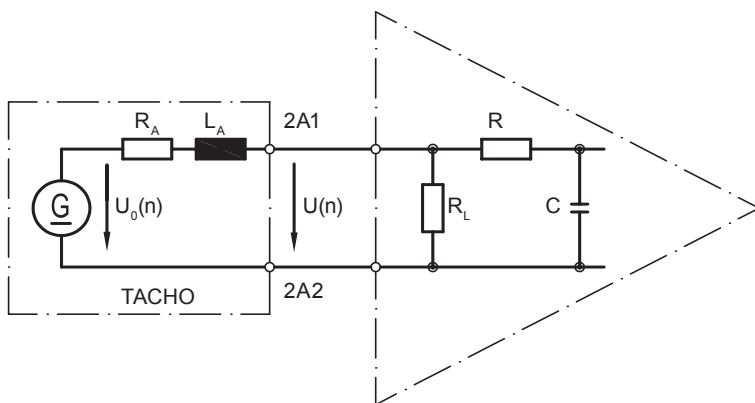
- 10 10 mV per rpm
- 20 20 mV per rpm

Data according to type

Type	Off-load voltage	Minimum load required depending on speed range [rpm]			Maximum operating speed	Armature resistance	Armature inductance
		0 - 3,000	0 - 6,000	0 - n_{max}			
	U_0 [mV/rpm]	R_L [k Ω]	R_L [k Ω]	R_L [k Ω]	n_{max} [rpm]	R_A (20°C) [Ω]	L_A [mH]
GTB 9.06 L / 410	10	≥ 5	≥ 12	≥ 27	9,000	105	40
GTB 9.06 L / 420	20	≥ 20	≥ 48	≥ 108	9,000	370	169

Superimposed ripple (for $\tau_{RC} = 0.3$ ms): ≤ 0.5 % (peak-peak) ≤ 0.25 % (rms)

Replacement switching diagram



$$\tau_{RC} \approx R \cdot C \quad \tau_A \approx \frac{L_A}{R_L}$$

$$U(n) = U_0(n) \frac{R_L}{R_A + R_L} \approx U_0(n) \text{ for } R > R_L \gg R_A$$

Polarity for positive direction of rotation: 2A1: + 2A2: - (VDE)

Tachogenerators

End shaft $\varnothing 12-16$ mm or cone shaft $\varnothing 17$ mm (1:10)

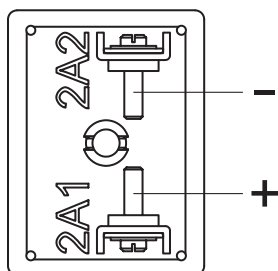
Housings $\varnothing 95$ mm, bearingless configuration

GTB 9

Terminal assignment

View A - Connecting terminal

Polarity for positive direction of rotation



Accessories

Mounting cone

Carbon brushes

Tachogenerators

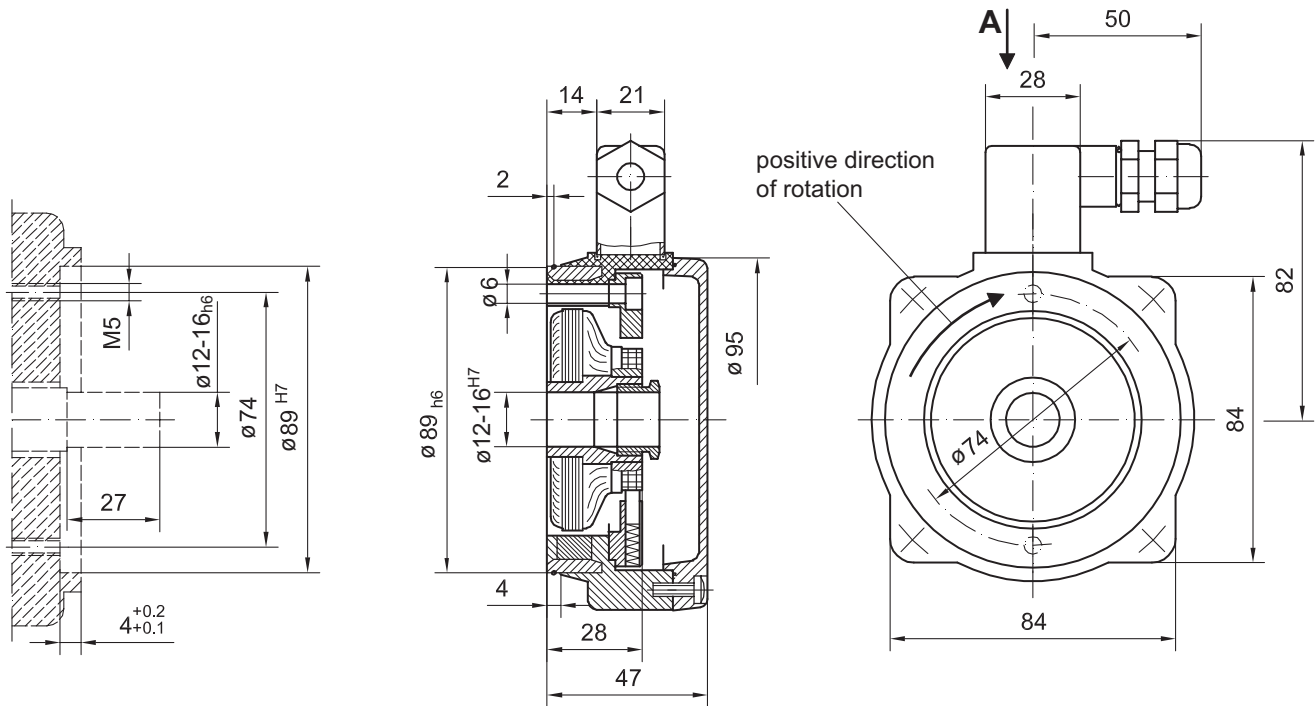
End shaft $\varnothing 12-16$ mm or cone shaft $\varnothing 17$ mm (1:10)

Housings $\varnothing 95$ mm, bearingless configuration

GTB 9

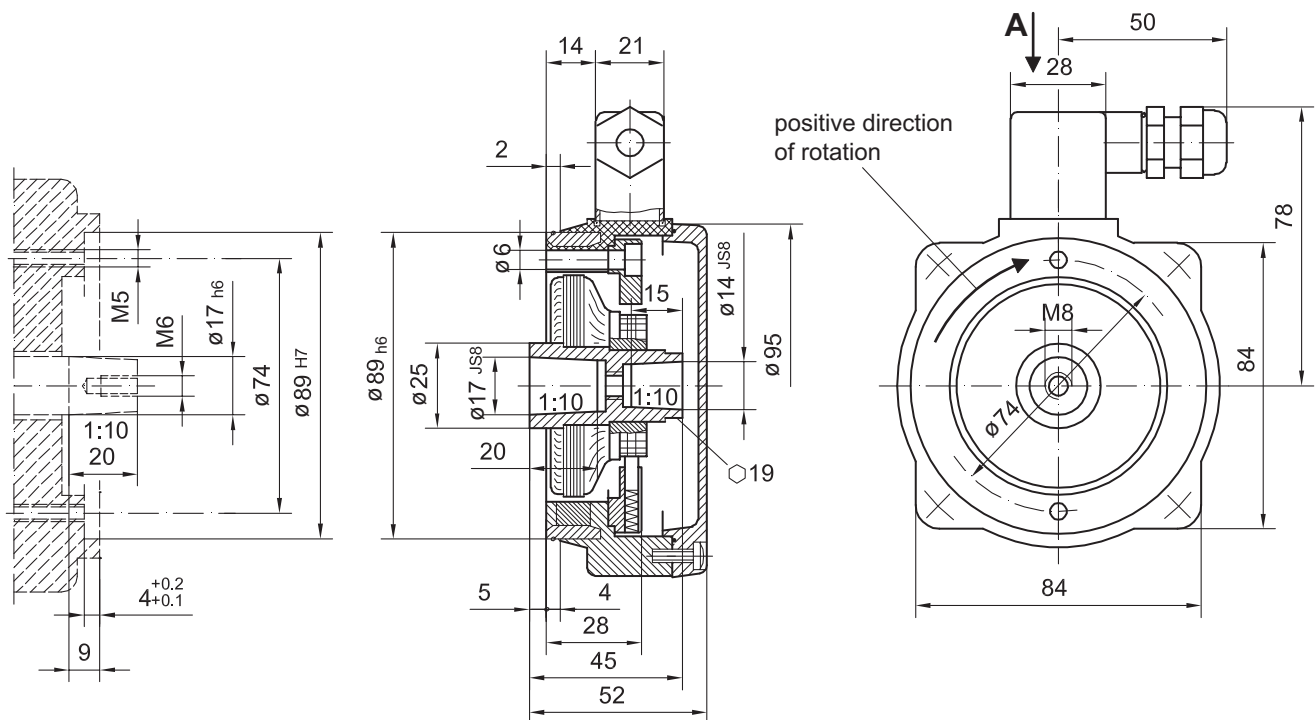
Dimensions

GTB 9.06 - cylinder shaft design



HM85M20491

GTB 9.06 K - cone shaft design



HM85M20484

Subject to modification in technic and design. Errors and omissions excepted.