

Incremental encoders

Hollow shaft $\varnothing 80$ to $\varnothing 115$ mm

Resolution 1024 pulses

HOG 220



HOG 220

Technical data - electrical ratings

Voltage supply	5 VDC ± 5 % 9...26 VDC 9...30 VDC
Consumption w/o load	≤ 100 mA
Resolution (steps/turn)	1024
Phase shift	$90^\circ \pm 20^\circ$
Scan ratio	40...60 %
Reference signal	Zero pulse, width 90°
Sensing method	Optical
Output frequency	≤ 120 kHz
Output signals	K1, K2, K0 + inverted
Output circuit	TTL (RS422) HTL (power line driver)
Interference immunity	DIN EN 61000-6-2
Emitted interference	DIN EN 61000-6-4
Approval	UL approval / E256710

Features

- Encoder with hollow shaft $\varnothing 80$ -115 mm
- Optical sensing
- Robust light-metal housing
- Logic level TTL with regulator UB 9...26 VDC
- Logic level HTL with power line driver
- Big terminal box, pivotable through 180°

Optional

- Induced interference immunity

Technical data - mechanical design

Housing	$\varnothing 227$ mm
Shaft	$\varnothing 80$...115 mm hollow shaft
Protection DIN EN 60529	IP 56
Operating speed	≤ 3800 rpm (mechanical)
Operating torque typ.	50 Ncm
Rotor moment of inertia	102 kgcm ² ($\varnothing 100$)
Admitted shaft load	≤ 450 N axial ≤ 700 N radial
Materials	Housing: aluminium alloy Shaft: stainless steel
Operating temperature	-30 ... $+85$ °C
Resistance	DIN EN 60068-2-6 Vibration 10 g, 10-2000 Hz DIN EN 60068-2-27 Shock 200 g, 6 ms
Explosion protection	II3G Ex nA T4 X (gas) II3D Ex tD IP56 A22 T135°C X (dust)
Weight approx.	8.8 kg ($\varnothing 100$)
Connection	Terminal box

Incremental encoders

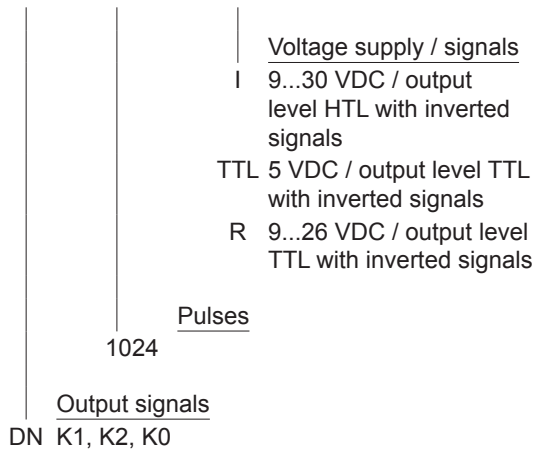
Hollow shaft $\varnothing 80$ to $\varnothing 115$ mm

Resolution 1024 pulses

HOG 220

Part number

HOG 220 **DN** **1024**



Other pulse numbers upon request.

Accessories

Connectors and cables

HEK 8 Sensor cable for encoders

Mounting accessories

DS-K...12 Torque arm
Ball joints DIN ISO 12240-4, size K ... 12

Diagnostic accessories

HENQ 1100 Analyzer for encoders

Incremental encoders

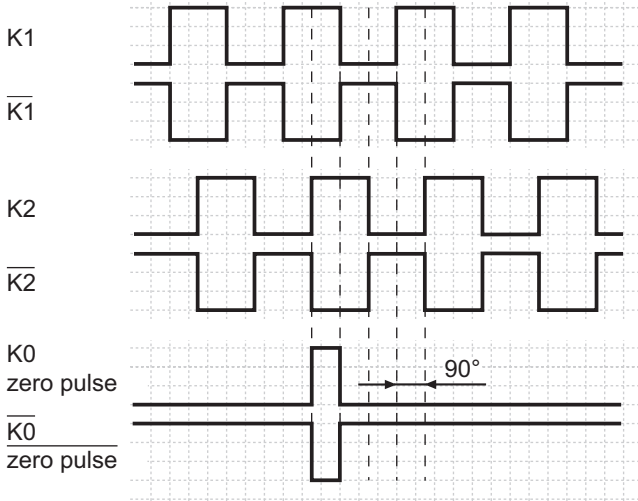
Hollow shaft $\varnothing 80$ to $\varnothing 115$ mm

Resolution 1024 pulses

HOG 220

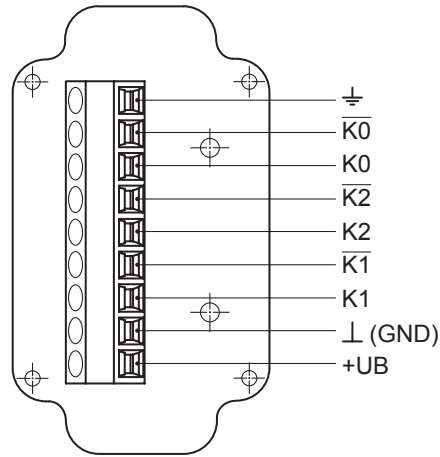
Output signals

at positive direction of rotation

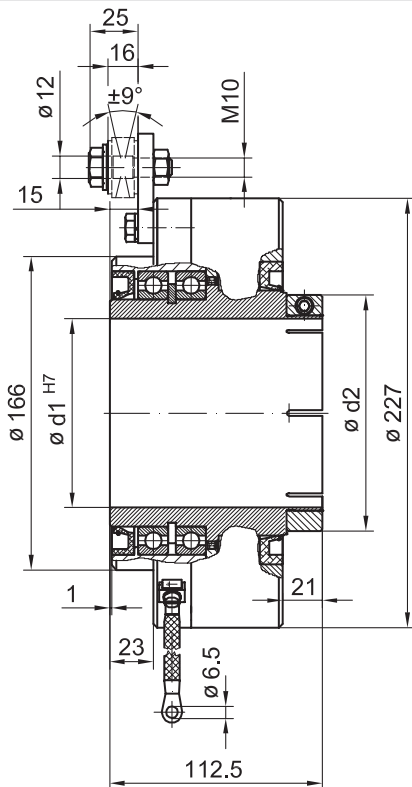


Terminal assignment

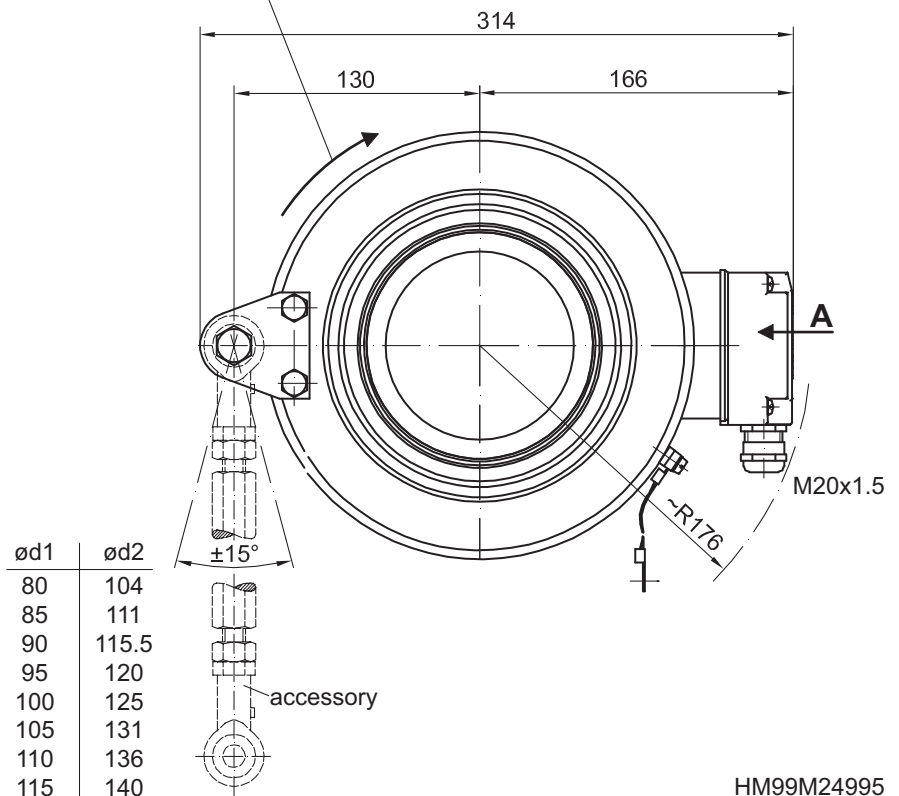
View A - Connecting terminal in terminal box



Dimensions



positive direction of rotation



HM99M24995

Incremental encoders

Hollow shaft $\varnothing 80$ to $\varnothing 115$ mm

Resolution 1024 pulses

HOG 220
