

# Sine encoders

End shaft max.  $\varnothing 20$  mm or cone shaft  $\varnothing 17$  mm (1:10)

Resolution 720...5000 pulses

## HOGS 100



HOGS 100

### Features

- Encoder with end shaft max.  $\varnothing 20$  mm or cone shaft  $\varnothing 17$  mm (1:10)
- Resolution max. 5000 ppr
- Low harmonic content (patented LowHarmonics technology)
- Top-quality sine signals
- Protection against inductive shaft current
- Big terminal box, pivotable through 180°

### Technical data - electrical ratings

Voltage supply	5 VDC $\pm 10$ % 9...30 VDC
Consumption w/o load	$\leq 90$ mA
Resolution (steps/turn)	720...5000
Phase shift	90°
Reference signal	Zero pulse, width 90°
Sensing method	Optical
Output signals	K1, K2, K0 + inverted
Output circuit	Sine/cosine 1 Vpp
Interference immunity	DIN EN 61000-6-2
Emitted interference	DIN EN 61000-6-4
Approval	UL approval / E256710
Spectrum	250 kHz (-3 dB)
Harmonics share approx.	-50 dB
Offset sine/cosine amplitude	$\leq 20$ mV
Overlying constant share	$\leq 20$ mV

### Technical data - mechanical design

Housing	$\varnothing 105$ mm
Shaft	$\varnothing 12$ ...20 mm end shaft $\varnothing 17$ mm cone shaft 1:10
Admitted shaft load	$\leq 250$ N axial $\leq 400$ N radial
Protection DIN EN 60529	IP 66
Operating speed	$\leq 10000$ rpm (mechanical)
Operating torque typ.	6 Ncm
Rotor moment of inertia	180 gcm <sup>2</sup>
Materials	Housing: aluminium die-cast Shaft: stainless steel
Operating temperature	-20...+85 °C
Resistance	DIN EN 60068-2-6 Vibration 10 g, 10-2000 Hz DIN EN 60068-2-27 Shock 100 g, 11 ms
Explosion protection	II3G Ex nA T4 X (gas) II3D Ex tD IP66 A22 T135°C X (dust)
Connection	Terminal box
Weight approx.	1.6 kg

# Sine encoders

End shaft max.  $\varnothing 20$  mm or cone shaft  $\varnothing 17$  mm (1:10)

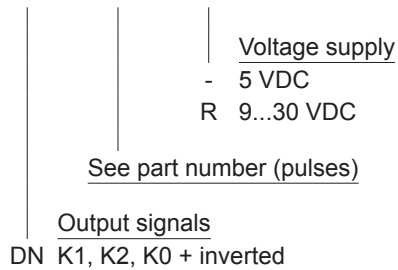
Resolution 720...5000 pulses

## HOGS 100

### Part number

HOGS 100 

DN				
----	--	--	--	--



### Accessories

#### Connectors and cables

HEK 8 Sensor cable for encoders

#### Mounting accessories

ET.51.100x Torque arm size M6

#### Diagnostic accessories

HENQ 1100 Analyzer for encoders

### Part number (pulses)

720 | 800 | 1024 | 2048 | 5000

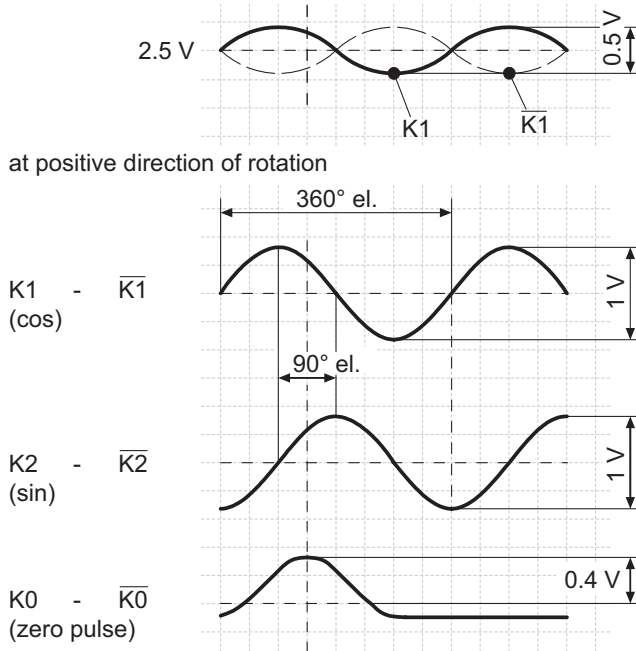
# Sine encoders

End shaft max.  $\varnothing 20$  mm or cone shaft  $\varnothing 17$  mm (1:10)

Resolution 720...5000 pulses

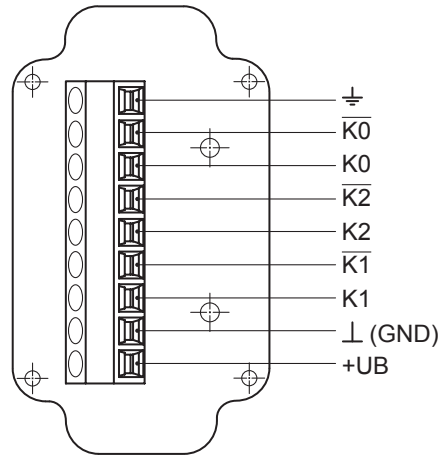
## HOGS 100

### Output signals



### Terminal assignment

View A - Connecting terminal in terminal box



# Sine encoders

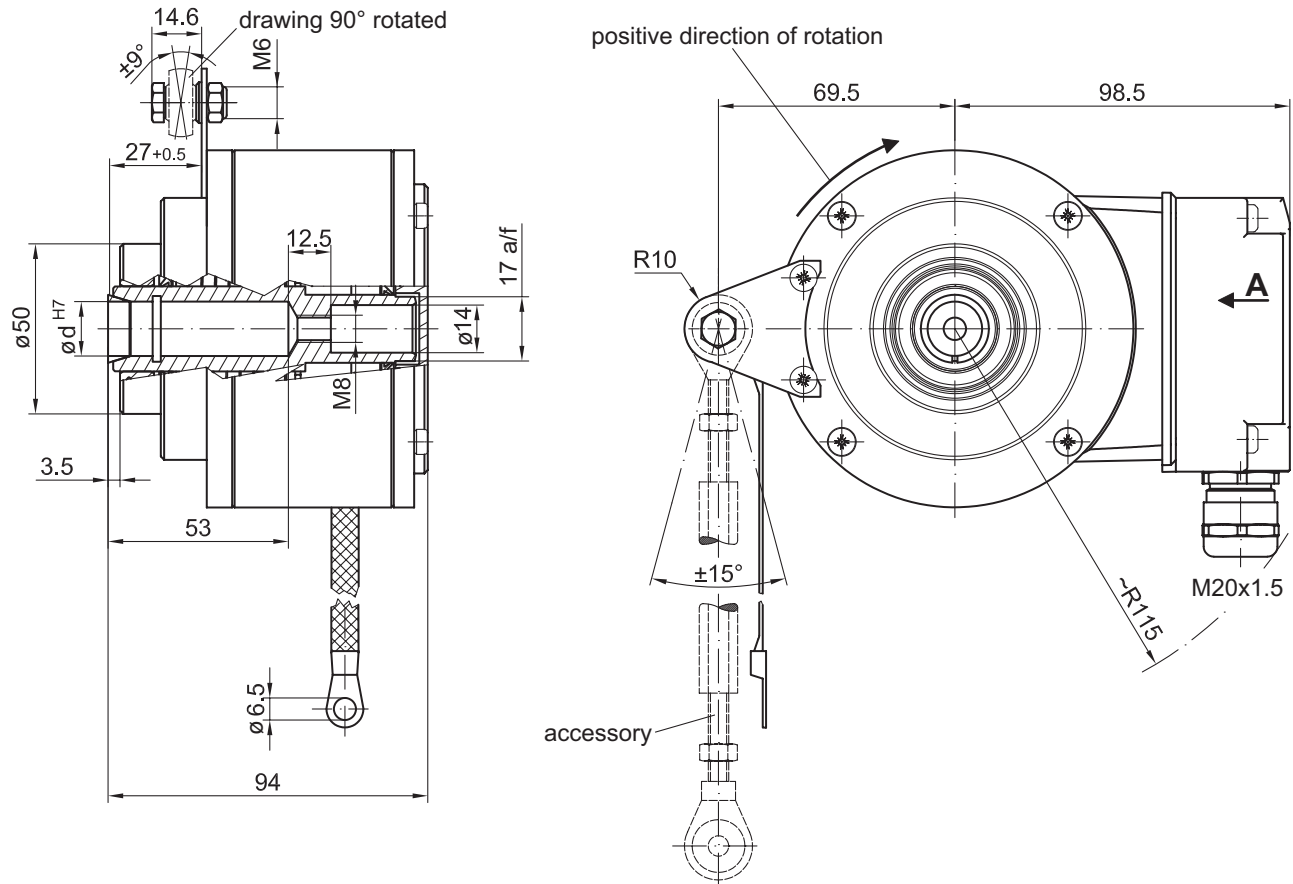
End shaft max.  $\varnothing 20$  mm or cone shaft  $\varnothing 17$  mm (1:10)

Resolution 720...5000 pulses

HOGS 100

## Dimensions

### End shaft design



HM08M28569