

# Sine encoders

End shaft  $\varnothing 12$  mm and  $\varnothing 14$  mm

Resolution 1024...5000 pulses

## HOGS 71



HOGS 71

### Features

- Encoder with end shaft  $\varnothing 12$ -14 mm
- Resolution max. 5000 ppr
- Sine output signals 1 Vpp
- Low harmonic content (patented LowHarmonics technology)
- Compact, robust die-cast housing
- Inside connecting terminals
- Patented expansion anchor for mounting on the motor fan guard
- High protection IP 66

### Technical data - electrical ratings

Voltage supply	5 VDC $\pm 10$ % 9...30 VDC
Consumption w/o load	$\leq 90$ mA
Resolution (steps/turn)	1024...5000
Phase shift	90°
Reference signal	Zero pulse, width 90°
Sensing method	Optical
Output signals	A, B, C + inverted
Output circuit	Sine 1 Vpp
Interference immunity	DIN EN 61000-6-2
Emitted interference	DIN EN 61000-6-4
Approval	UL approval / E256710
Spectrum	250 kHz (-3 dB)
Harmonics share approx.	-50 dB
Offset sine/cosine amplitude	$\leq 20$ mV
Overlying constant share	$\leq 20$ mV

### Technical data - mechanical design

Housing	$\varnothing 60$ mm
Shaft	$\varnothing 12$ ...14 mm end shaft
Protection DIN EN 60529	IP 66
Operating speed	$\leq 10000$ rpm (mechanical)
Operating torque typ.	1 Ncm
Rotor moment of inertia	60 gcm <sup>2</sup>
Admitted shaft load	$\leq 30$ N axial $\leq 40$ N radial
Materials	Housing: aluminium die-cast alloy Shaft: stainless steel
Operating temperature	-20...+85 °C
Resistance	DIN EN 60068-2-6 Vibration 10 g, 10-2000 Hz DIN EN 60068-2-27 Shock 300 g, 6 ms
Explosion protection	II3G Ex nA T4 X (gas) II3D Ex tD IP66 A22 T85°C X (dust)
Weight approx.	350 g
Connection	Terminal box

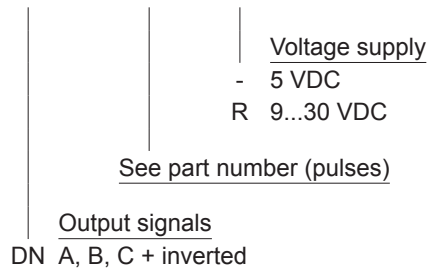
# Sine encoders

End shaft  $\varnothing$ 12 mm and  $\varnothing$ 14 mm  
Resolution 1024...5000 pulses

HOGS 71

## Part number

HOGS 71 **DN**



## Accessories

HENQ 1100  
Analyzer for encoders

## Connectors and cables

HEK 8      Sensor cable for encoders

## Part number (pulses)

1024      |      2048      |      5000

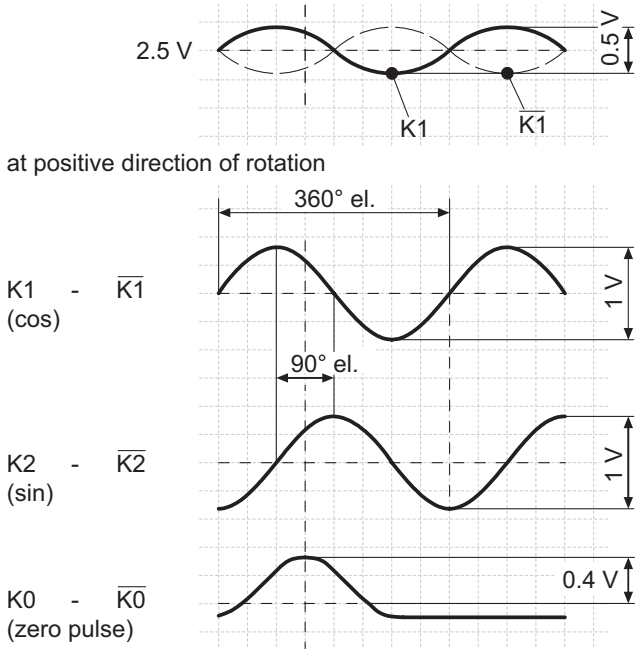
# Sine encoders

End shaft  $\varnothing 12$  mm and  $\varnothing 14$  mm

Resolution 1024...5000 pulses

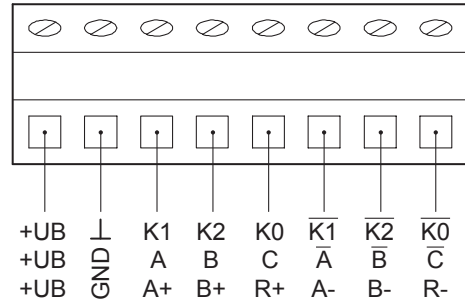
## HOGS 71

### Output signals

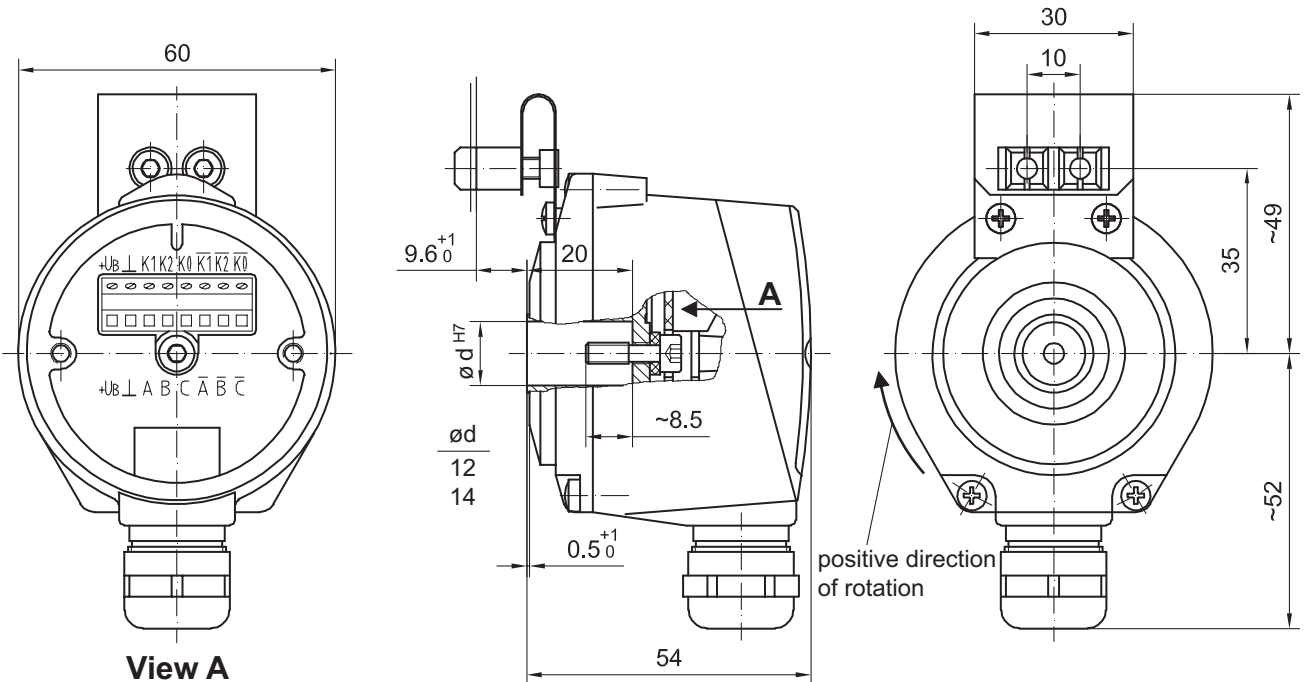


### Terminal assignment

View A - Connecting terminal inside the encoder



### Dimensions



HM02M26055

Subject to modification in technic and design. Errors and omissions excepted.

2/7/2010

**Sine encoders**  
End shaft  $\varnothing$ 12 mm and  $\varnothing$ 14 mm  
Resolution 1024...5000 pulses

HOGS 71

---