

# Incremental encoders

Hollow shaft  $\varnothing 9$  to  $\varnothing 14$  mm

Resolution 1...32 pulses

## ITD 27 A 4 Y15



ITD 27 A 4 Y15 with hollow shaft

### Features

- Encoder with hollow shaft  $\varnothing 9$ -14 mm
- Resolution max. 32 ppr
- Magnetic sensing
- HTL output signals
- Cable output radial

### Optional

- Cable with connector

### Technical data - electrical ratings

Voltage supply	8...26 VDC
Reverse polarity protection	Yes
Consumption w/o load	$\leq 20$ mA
Resolution (steps/turn)	1...32
Sensing method	Magnetic
Output signals	A 90° B
Output circuit	Push-pull short-circuit proof

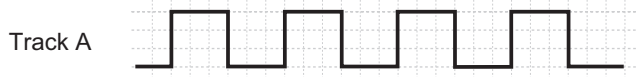
### Technical data - mechanical design

Housing	$\varnothing 58$ mm
Shaft	$\varnothing 9$ ...14 mm hollow shaft
Mounting kit variant	17
Protection DIN EN 60529	IP 65
Operating speed	$\leq 6000$ rpm
Motor shaft tolerance	0.25 mm axial 0.1 mm radial
Materials	Housing: aluminium Shaft: stainless steel
Operating temperature	-20...+85 °C
Relative humidity	90 % non-condensing
Resistance	DIN EN 60068-2-6 Vibration 10 g, 55-2000 Hz DIN EN 60068-2-27 Shock 100 g, 11 ms
Weight approx.	220 g
Connection	Cable 1 m

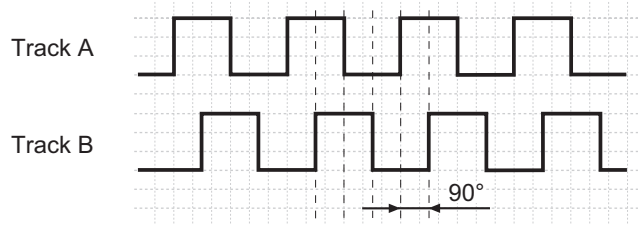
### Output signals

Clockwise rotation when looking at the mounting side.

AX-Output signals



BX-Output signals



### Terminal assignment

Core colour	Assignment
green	Track A
grey	Track B
brown	UB
white	GND
transparent	Shield/Housing

# Incremental encoders

Hollow shaft  $\varnothing 9$  to  $\varnothing 14$  mm

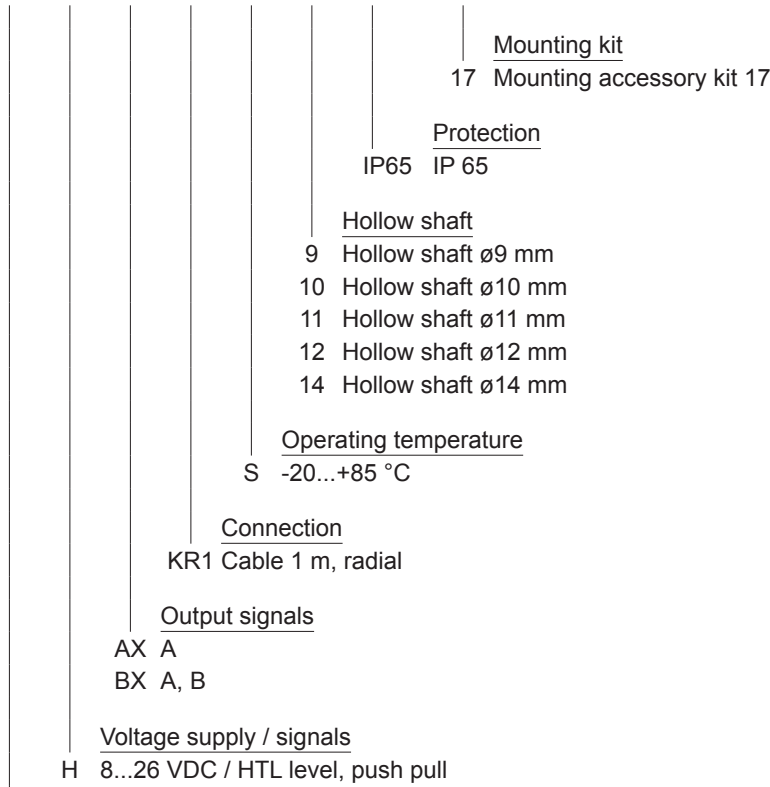
Resolution 1...32 pulses

ITD 27 A 4 Y15

## Part number

ITD 27 A 4 Y15 

	H		KR1	S		IP65	17
--	---	--	-----	---	--	------	----

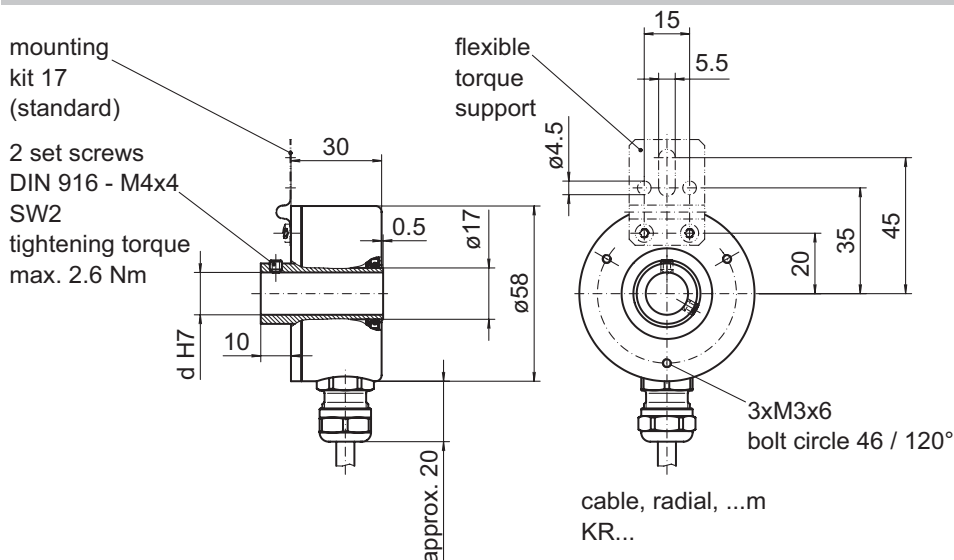


See part number (pulses)

## Part number (pulses)

1	8	20
4	16	32

## Dimensions



028-12 Y15