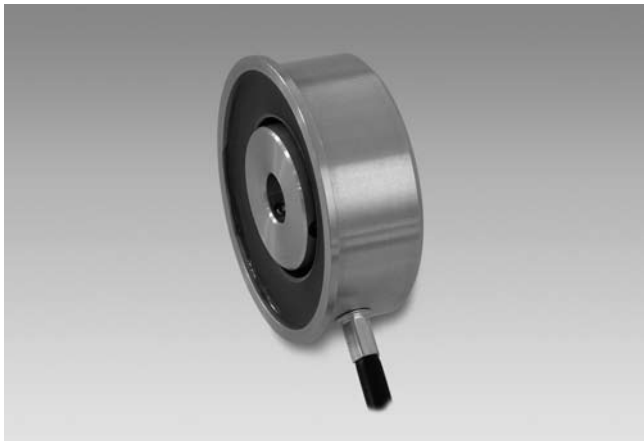


Encoders without bearing

End shaft $\varnothing 10$ to $\varnothing 16$ mm

Resolution 1...32 pulses

ITD 27 A 4 Y27



ITD 27 A 4 Y27 with end shaft

Features

- Encoder with end shaft $\varnothing 10$ -16 mm
- Resolution max. 32 ppr
- Magnetic sensing
- Mounting on shaft by set screws
- HTL output signals
- Cable output radial
- Sealed electronics

Optional

- Cable with connector

Technical data - electrical ratings

Voltage supply	8...26 VDC
Reverse polarity protection	Yes
Consumption w/o load	≤ 20 mA
Resolution (steps/turn)	1...32
Sensing method	Magnetic
Output signals	A 90° B
Output circuit	Push-pull short-circuit proof

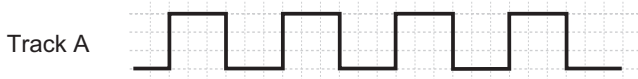
Technical data - mechanical design

Housing	$\varnothing 58$ mm
Shaft	$\varnothing 10$...16 mm end shaft
Motor shaft tolerance	0.25 mm axial 0.1 mm radial
Protection DIN EN 60529	IP 67 (relating to sealed electronics)
Operating speed	≤ 12000 rpm
Materials	Housing: aluminium Shaft: aluminium
Operating temperature	-20...+85 °C
Relative humidity	90 %
Resistance	DIN EN 60068-2-6 Vibration 10 g, 55-2000 Hz DIN EN 60068-2-27 Shock 100 g, 11 ms
Weight approx.	220 g
Connection	Cable 1 m

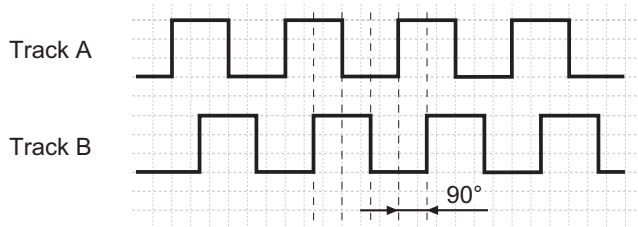
Output signals

Clockwise rotation when looking at the mounting side.

AX-Output signals



BX-Output signals



Terminal assignment

Core colour	Assignment
green	Track A
grey	Track B
brown	UB
white	GND
transparent	Shield/Housing

Encoders without bearing

End shaft $\varnothing 10$ to $\varnothing 16$ mm

Resolution 1...32 pulses

ITD 27 A 4 Y27

Part number

ITD 27 A 4 Y27 H KR1 S IP67

Protection
IP67 IP 67

End shaft
10 End shaft $\varnothing 10$ mm
11 End shaft $\varnothing 11$ mm
... ..
16 End shaft $\varnothing 16$ mm

Operating temperature
S -20...+85 °C

Connection
KR1 Cable 1 m, radial

Output signals
AX A
BX A, B

Voltage supply / signals
H 8...26 VDC / HTL level, push pull

See part number (pulses)

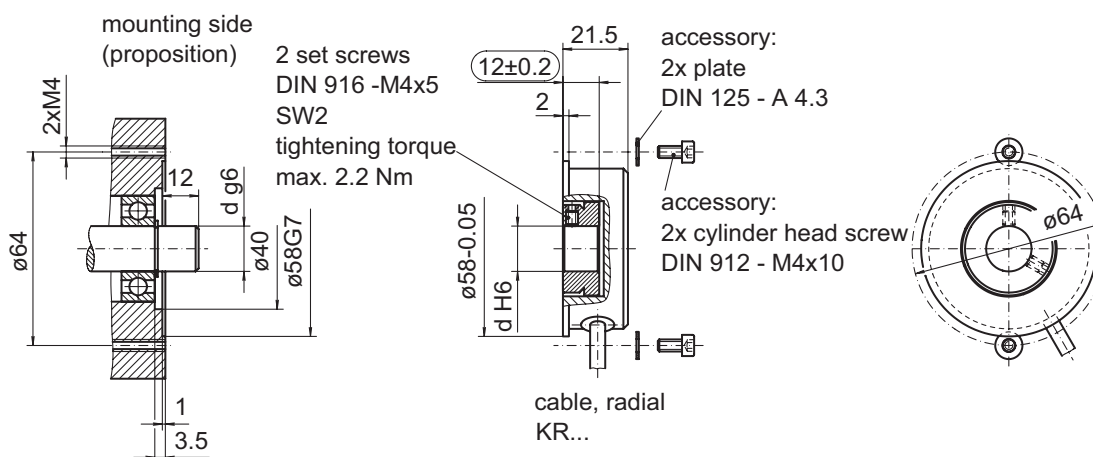
Part number (pulses)

1	8	20
4	16	32

Trigger level

Outputs	Push-pull short-circuit proof
Output level High	$\geq U_B - 3$ V
Output level Low	≤ 1.5 V
Load	≤ 20 mA

Dimensions



028-12 Y27