

Incremental encoders

Hollow shaft $\varnothing 20$ to $\varnothing 27$ mm

Resolution 200...2048 pulses

ITD 40 A 4 Y79



ITD 40 A 4 Y79 with hollow shaft

Technical data - electrical ratings

Voltage supply	5 VDC $\pm 5\%$ 8...30 VDC
Reverse polarity protection	Yes
Consumption w/o load	≤ 100 mA
Resolution (steps/turn)	200...2048
Reference signal	Zero pulse, width 90°
Sensing method	Optical
Output frequency	≤ 120 kHz
Output signals	A, B, N + inverted
Output circuit	TTL linedriver (short-circuit-proof) HTL push-pull (short-circuit-proof)
Interference immunity	DIN EN 61000-6-2
Emitted interference	DIN EN 55011
Approval	UL/cULus

Features

- Encoder with hollow shaft $\varnothing 20$ -27 mm
- Resolution max. 2048 ppr
- Optical sensing
- Mounting by torque support
- TTL or HTL output signals
- Cable output radial

Optional

- Cable with connector
- Extended operating temperature range

Technical data - mechanical design

Housing	$\varnothing 80$ mm
Shaft	$\varnothing 20$ mm hollow shaft $\varnothing 22$ mm hollow shaft $\varnothing 25$ mm hollow shaft $\varnothing 27$ mm hollow shaft
Mounting kit variant	50
Protection DIN EN 60529	IP 65
Operating speed	≤ 5000 rpm ≤ 3000 rpm IP 65 at $> 70^\circ\text{C}$
Starting torque	≤ 0.015 Nm
Motor shaft tolerance	0.25 mm axial 0.1 mm radial
Materials	Housing: aluminium, black, powder-coated Shaft: stainless steel
Operating temperature	$-20...+70^\circ\text{C}$ $-20...+100^\circ\text{C}$
Relative humidity	90 % non-condensing
Resistance	DIN EN 60068-2-6 Vibration 10 g, 55-2000 Hz DIN EN 60068-2-27 Shock 100 g, 6 ms
Weight approx.	600 g
Connection	Cable 1 m

Incremental encoders

Hollow shaft $\varnothing 20$ to $\varnothing 27$ mm

Resolution 200...2048 pulses

ITD 40 A 4 Y79

Part number

ITD 40 A 4 Y79

			KR1			50	cULus
--	--	--	-----	--	--	----	-------

Approval
cULus UL approval

Mounting kit
50 Mounting accessory kit 50

Protection
IP54 IP 54
IP65 IP 65

Hollow shaft
20 Hollow shaft $\varnothing 20$ mm
22 Hollow shaft $\varnothing 22$ mm
25 Hollow shaft $\varnothing 25$ mm
27 Hollow shaft $\varnothing 27$ mm

Operating temperature
S -20...+70 °C
E -20...+100 °C

Connection
KR1 Cable 1 m, radial

Output signals
BI A, A inv, B, B inv
NI A, A inv, B, B inv, N, N inv

Voltage supply / signals
T 5 VDC / TTL level, linedriver
H 8...30 VDC / HTL level, push pull
R 8...30 VDC / TTL level, linedriver

See part number (pulses)

Part number (pulses)

200	500	720	1024	2048
360	512	1000	2000	

Incremental encoders

Hollow shaft $\varnothing 20$ to $\varnothing 27$ mm

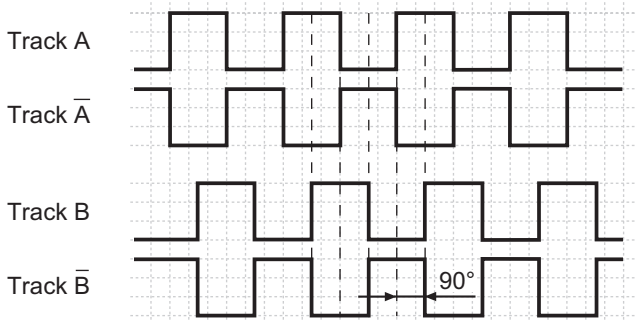
Resolution 200...2048 pulses

ITD 40 A 4 Y79

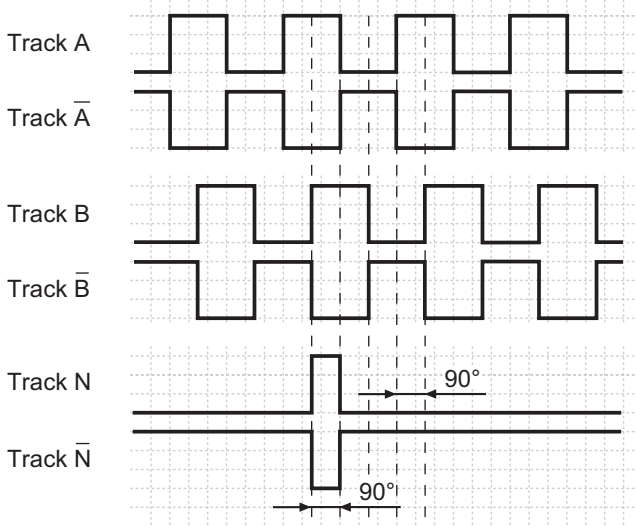
Output signals

Clockwise rotation when looking at the mounting side.

BI-Output signals



NI-Output signals



Terminal assignment

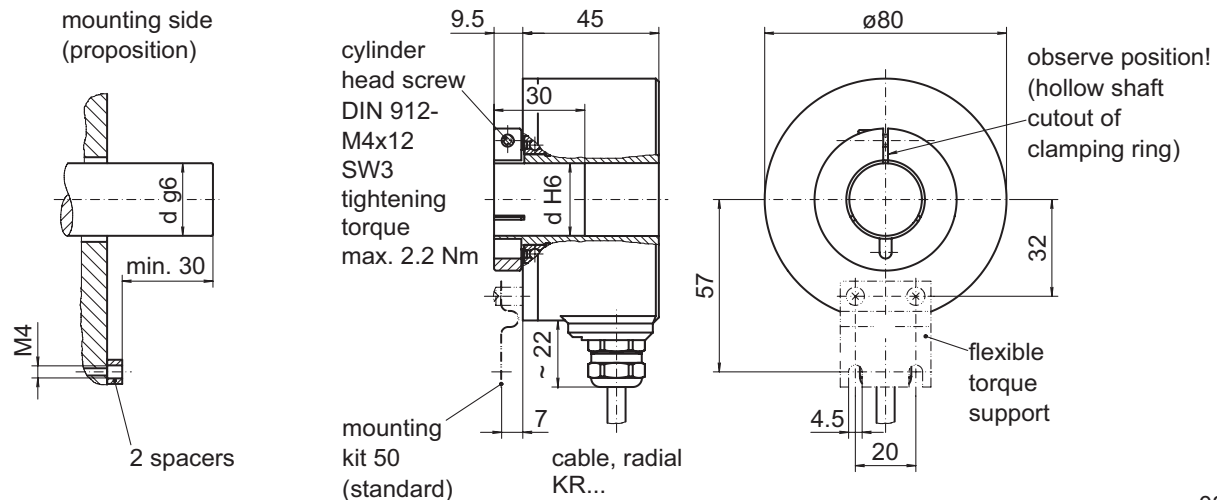
Core colour	Assignment
brown	Track A
green	Track A inv.
grey	Track B
pink	Track B inv.
red	Track N
black	Track N inv.
brown 0,5 mm ²	UB
white 0,5 mm ²	GND
blue	UB-Sense
white	GND-Sense
transparent	Shield/Housing

Trigger level

Outputs	Linedriver
Output level High	≥ 2.4 V
Output level Low	≤ 0.5 V
Load	≤ 70 mA

Outputs	Push-pull short-circuit proof
Output level High	$\geq UB - 3$ V
Output level Low	≤ 1.5 V
Load	≤ 70 mA

Dimensions



026- 5 Y79

Incremental encoders

Hollow shaft $\varnothing 20$ to $\varnothing 27$ mm

Resolution 200...2048 pulses

ITD 40 A 4 Y79
