

Incremental encoders

Shaft with EURO flange B10

Resolution 1...2500 pulses

POG 9



POG 9

Technical data - electrical ratings

Voltage supply	5 VDC \pm 5 % 9...26 VDC 9...30 VDC
Consumption w/o load	\leq 100 mA
Resolution (steps/turn)	1...2500
Phase shift	90° \pm 20°
Scan ratio	40...60 %
Reference signal	Zero pulse, width 90°
Sensing method	Optical
Output frequency	\leq 120 kHz
Output signals	K1, K2, K0 + inverted
Output circuit	TTL (RS422) HTL (power line driver)
Interference immunity	DIN EN 61000-6-2
Emitted interference	DIN EN 61000-6-4
Approval	UL approval / E256710

Features

- Encoder with shaft \varnothing 11 mm
- Optical sensing
- EURO flange B10
- Logic level TTL with regulator UB 9...26 VDC
- Logic level HTL with power line driver
- Temperature max. +100 °C

Optional

- Twin-encoder featuring two separate systems
- Second shaft end

Technical data - mechanical design

Housing	\varnothing 90 mm
Shaft	\varnothing 11 mm
Flange	EURO flange B10
Protection DIN EN 60529	IP 56
Operating speed	\leq 12000 rpm (mechanical)
Operating torque typ.	2 Ncm
Rotor moment of inertia	200 gcm ²
Admitted shaft load	\leq 250 N axial \leq 350 N radial
Materials	Housing: aluminium die-cast Shaft: stainless steel
Operating temperature	-30...+100 °C
Resistance	DIN EN 60068-2-6 Vibration 10 g, 10-2000 Hz DIN EN 60068-2-27 Shock 300 g, 1 ms
Explosion protection	II3G Ex nA T4 X (gas) II3D Ex tD IP56 A22 T135°C X (dust)
Weight approx.	1.3 kg
Connection	Terminal box

Incremental encoders

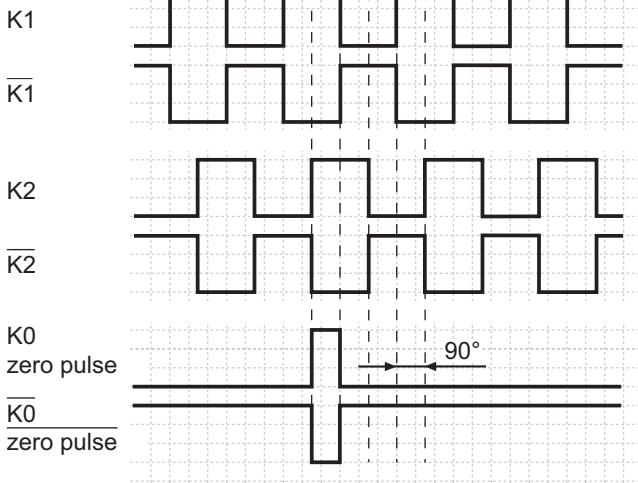
Shaft with EURO flange B10

Resolution 1...2500 pulses

POG 9

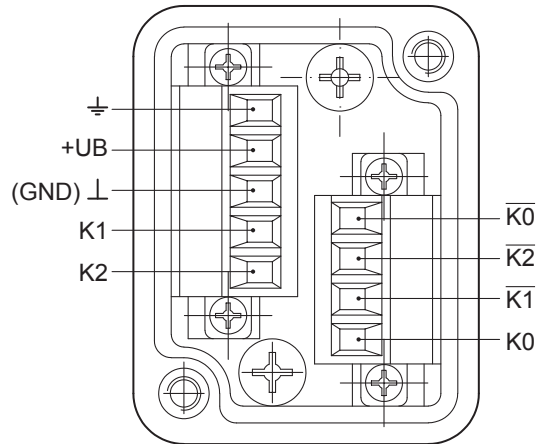
Output signals

at positive direction of rotation

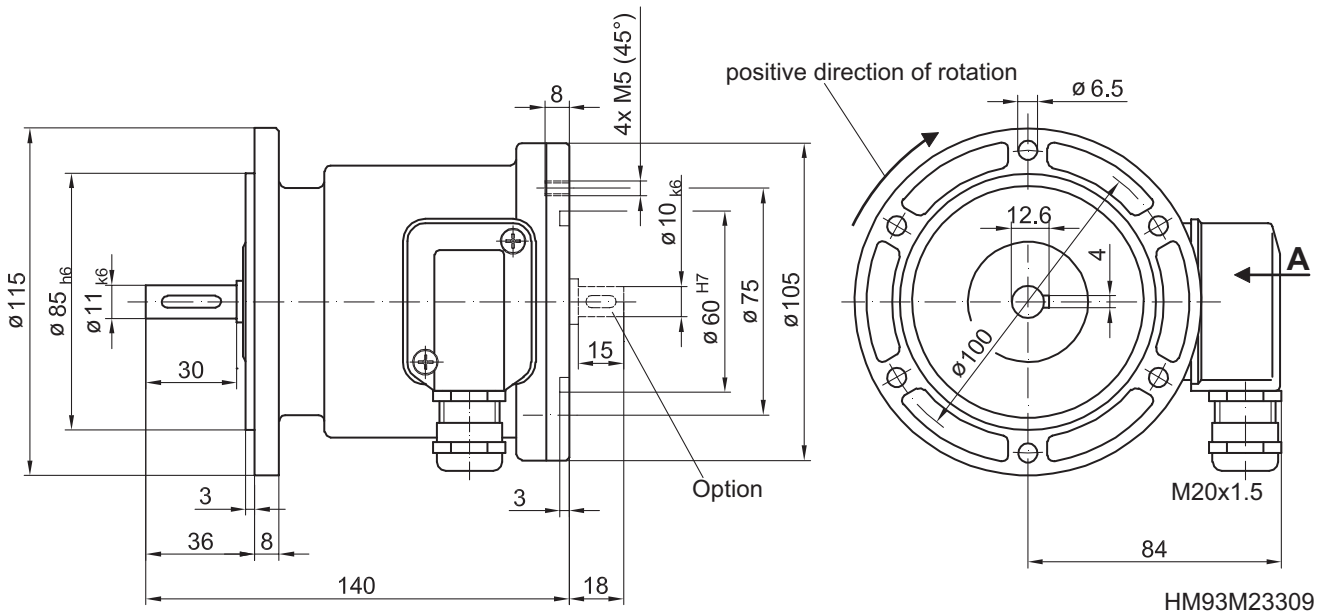


Terminal assignment

View A - Connecting terminal in terminal box



Dimensions



Incremental encoders

Shaft with EURO flange B10

Resolution 1..2500 pulses

POG 9
