

Sine encoders

Shaft with EURO flange B10

Resolution 720...5000 pulses

POGS 90



POGS 90

Technical data - electrical ratings

Voltage supply	5 VDC \pm 10 % 9...30 VDC
Consumption w/o load	\leq 90 mA
Resolution (steps/turn)	720...5000
Phase shift	90°
Reference signal	Zero pulse, width 90°
Sensing method	Optical
Output signals	K1, K2, K0 + inverted
Output circuit	Sine 1 Vpp
Interference immunity	DIN EN 61000-6-2
Emitted interference	DIN EN 61000-6-4
Approval	UL approval / E256710
Spectrum	250 kHz (-3 dB)
Harmonics share approx.	-50 dB
Offset sine/cosine amplitude	\leq 20 mV
Overlying constant share	\leq 20 mV

Features

- Encoder with shaft \varnothing 11 mm
- Resolution max. 5000 ppr
- Low harmonic content (patented LowHarmonics technology)
- Sine output signals 1 Vpp
- Big terminal box, pivotable through 180°
- EURO flange B10
- Compact, robust die-cast housing

Optional

- Second shaft end

Technical data - mechanical design

Housing	\varnothing 105 mm
Shaft	\varnothing 11 mm
Flange	EURO flange B10
Protection DIN EN 60529	IP 66
Operating speed	\leq 10000 rpm (mechanical)
Operating torque typ.	2 Ncm
Rotor moment of inertia	320 gcm ²
Admitted shaft load	\leq 250 N axial \leq 350 N radial
Materials	Housing: aluminium die-cast alloy and stainless steel Shaft: stainless steel
Operating temperature	-20...+85 °C
Resistance	DIN EN 60068-2-6 Vibration 10 g, 10-2000 Hz DIN EN 60068-2-27 Shock 100 g, 11 ms
Explosion protection	II3G Ex nA T4 X (gas) II3D Ex tD IP66 A22 T135°C X (dust)
Weight approx.	1.5 kg
Connection	Terminal box

Sine encoders

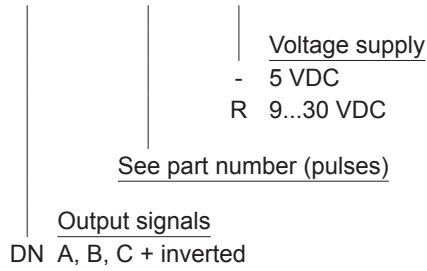
Shaft with EURO flange B10

Resolution 720...5000 pulses

POGS 90

Part number

POGS 90 **DN**



Part number (pulses)

720 | 800 | 1024 | 2048 | 5000

Accessories

HENQ 1100
Analyzer for encoders

Connectors and cables

HEK 8 Sensor cable for encoders

Mounting accessories

K 35 Spring disk coupling
for shaft $\varnothing 6...12$ mm

K 50 Spring disk coupling
for shaft $\varnothing 11...16$ mm

K 60 Spring disk coupling
for shaft $\varnothing 11...22$ mm

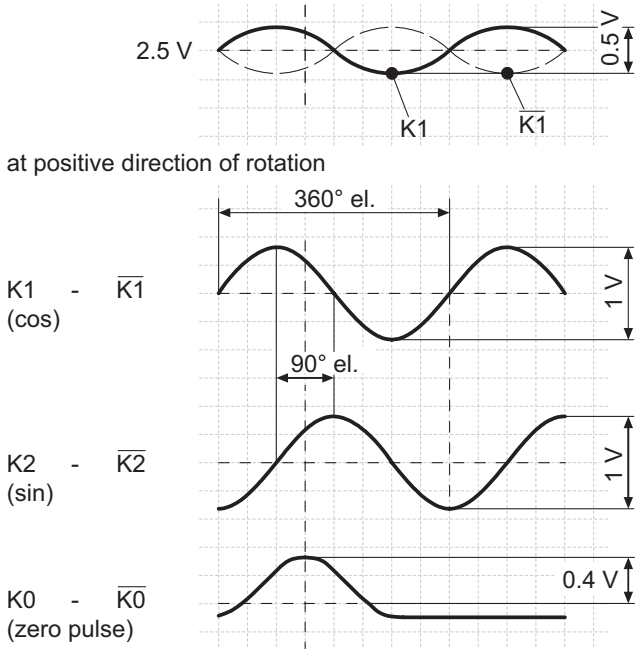
Sine encoders

Shaft with EURO flange B10

Resolution 720...5000 pulses

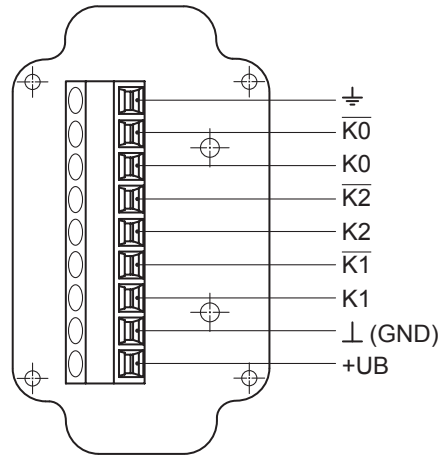
POGS 90

Output signals

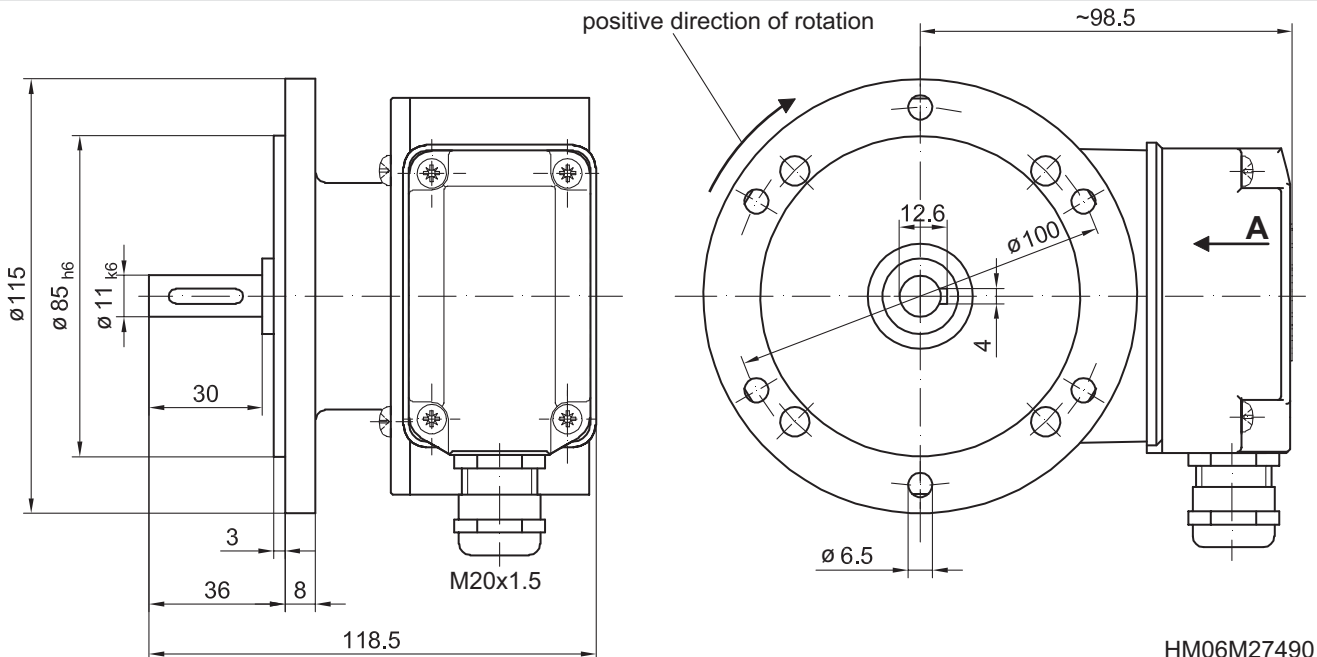


Terminal assignment

View A - Connecting terminal in terminal box



Dimensions



Sine encoders
Shaft with EURO flange B10
Resolution 720...5000 pulses

POGS 90
